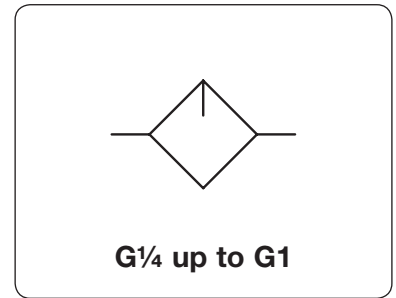


<b>Description</b>	Standard type mist lubricator of modular design with exchangeable insert kits. Can be interlocked with a filter or regulator without need for double nipples. A bypass valve and venturi nozzle guarantee low pressure drop and uniform lubrication of the compressed air. All "maxi" instruments are easy to take out of fixed piping by simply removing the two fastening bolts on the insert kits.
<b>Bowl</b>	metal bowl with sight glass
<b>Operating pressure</b>	max. 17 bar
<b>Oil refilling</b>	oil refilling under pressure possible
<b>Oil level indicator</b>	red ball inside the sight glass indicates oil level
<b>Temperature range</b>	0 °C to 70 °C / 32 °F to 158 °F
<b>Material</b>	Body: zinc die-cast Bowl: zinc die-cast Sight glass: polyurethane Elastomer: NBR/Buna-N



Dimensions			Bowl		Flow rate		Operating pressure	Connection thread	Order number
A	B	C	Design	Capacity	m³/h*1	l/min*1	max. bar	G	
mm	mm	mm	made of / with	l					

"Maxi" lubricator					supply max. 17 bar			L20	
89	229	170	metal / sight glass	0.3	108	1800	17	G¼	<b>L20-02W</b>
					186	3100		G¾	<b>L20-03W</b>
					336	5600		G½	<b>L20-04W</b>
111	229	170	metal / sight glass	0.3	420	7000	17	G¾	<b>L20-06W</b>
					438	7300		G1	<b>L20-08W</b>



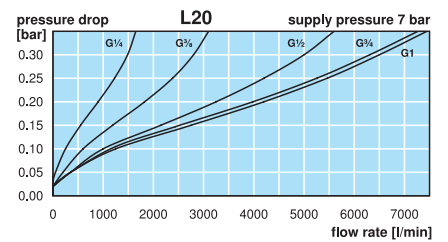
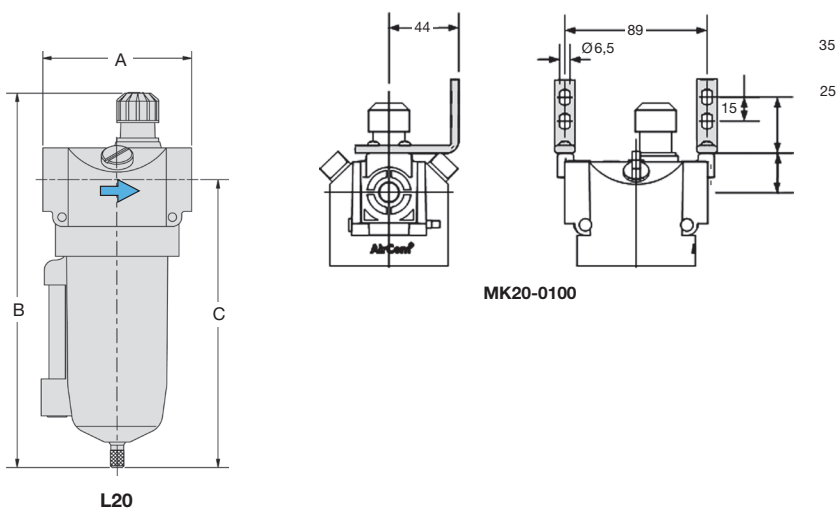
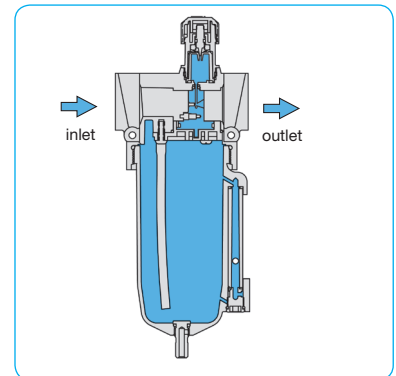
L20

### Special options, add the appropriate letter

<b>NPT</b>	connection thread	L20-0 . WN
------------	-------------------	------------

### Accessories, enclosed

<b>mounting bracket set</b>	made of steel	<b>MK20-0100</b>
-----------------------------	---------------	------------------



\*1 at 7 bar operating pressure and 0.33 bar pressure drop

Extensions: see chapter for FRL service units  
Spare parts: see separate spare parts list

PDF CAD  
www.aircom.net



Order example:  
**L20-02W**